

PRODUCT NUMBER

71600-YXXLF

LEAD FREE, SEE NOTE 6 & 7.

TOTAL NB OF POSITION 04 TO 64  
SEE SHEET 2

OPTIONAL STRAIN RELIEF  
SEE SHEET 2

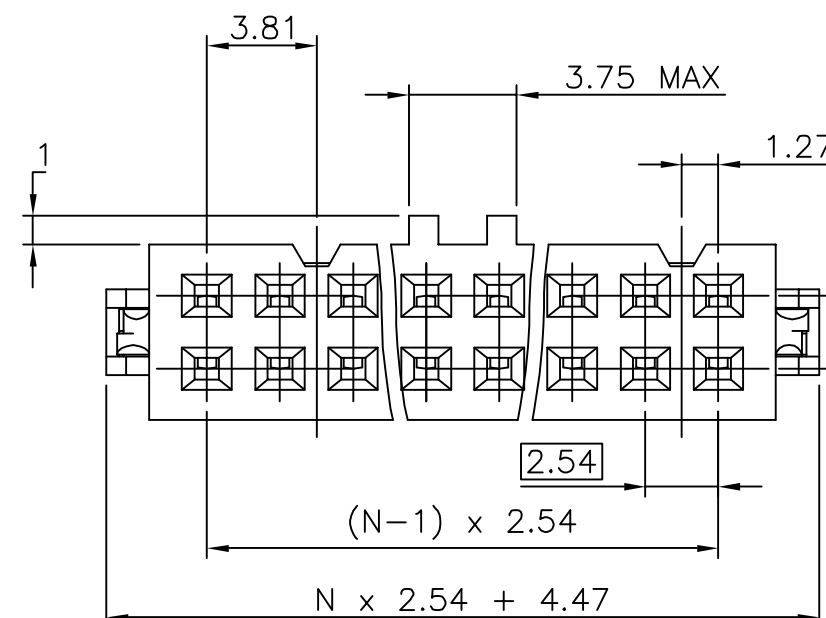
TRIANGLE INDICATES  
POSITION 1  
NOTE 5

LEFT POLARIZING  
NOTE 5

CENTRAL KEY  
NOTE 5

RIGHT POLARIZING  
NOTE 5

6.1 MAX



COVER ORIENTATION

CABLE ENTRY  
TRIANGLE SIDE

D D SECTION

NOTES:

- 1 - PLASTIC MAT'L : GLASS FILLED HIGH TEMPERATURE THERMOPLASTIC. UL94V-0 COLOR: GREY
- 2 - PIN MATERIAL : PHOSPHOR BRONZE
- 3 - PRODUCT PACKAGED IN TUBES.
- 4 - TO DETERMINE DIMENSIONS :  
N = NUMBER OF POSITIONS  
EXAMPLE : 8 POS N x 2.54 = 20.32mm
- 5 - 2x5, 2x6, 2x7 HAVE NO LEFT POLARIZING SLOT.  
- 2x2, 2x3 WITH CENTRAL KEY HAVE NO TRIANGLE, NO LEFT AND RIGHT POLARIZING SLOT.  
- 2x2 WITHOUT CENTRAL KEY HAS NO LEFT AND RIGHT POLARIZING SLOT.  
- 2x3, 2x4 WITHOUT CENTRAL KEY HAVE NO LEFT POLARIZING SLOT  
- 2x4 WITH CENTRAL KEY HAVE NO LEFT AND RIGHT POLARIZING SLOT
- 6 - 71600-XXXLF IS SIMILAR TO 71600-XXX, THE SUFFIX 'LF' IS ADDED FOR LEAD FREE IDENTIFICATION.
- 7 - THIS PRODUCT MEETS EUROPEAN UNION DIRECTIVES AND OTHER COUNTRY REGULATIONS AS PER GS-22-008.  
PACKAGING SPECIFICATION AS PER GS-14-920.

mat'l. code				tolerances unless otherwise specified			CUSTOMER COPY	FCI ELECTRONICS	
SEE NOTES								www.fciconnect.com	
ltr	ecn no	dr	date	linear	x.x ±0.3		projection	title QUICKIE III FEM	
AG	F04-0330	LMU	04.09.01		x.xx ±0.13				
AH	F05-0109	JCO	05.01.17	angles	x.xxx ±0.05		mm	product family 2.54MM IDC code 213	
AJ	F05-0171	LMU	05.04.07		dr				
AK	F05-0180	LMU	05.04.22	enr	D.LE	01.01.24	scale	size dwg no 71600 sheet 1 of 2	
AE	F03019	DLE	03.01.23	chr	P.NZ	01.01.24			
AF	F04-0168	LMU	04.04.08	appd	JF.N	01.01.24			
sheet index	revision sheet	AK	AC						
		1	2						

Tous droits réservés. Toute réimpression, reproduction ou utilisation non autorisée sans la permission écrite de la FCI est formellement interdite.  
 All rights reserved. Any reprinting or unauthorized use without the written permission of FCI is expressly prohibited.  
 Copyright FCI Intercon S.A.



All rights reserved. Reproduction or use in any form without the written authority from the proprietor is prohibited.  
 Copyright FCI Intercon S.A.

CORE RANGE	
STRAIN RELIEF	Nbr OF POSITIONS
0/1	04
0/1	06
0/1	08
0/1	10
0/1	14
0/1	16
0/1	18
0/1	20
0/1	24
0/1	26
0/1	30
0/1	34
0/1	40
0/1	50
0/1	60
0/1	64

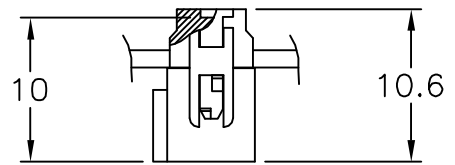
PLATING	
0.76µm GOLD ON CONTACT AREA	
1.27 µm Ni REMAINDER OF PRODUCT	

CATALOGUE RANGE	
STRAIN RELIEF	Nbr OF POSITIONS
2/6	04
2/6	06
2/6	08
2/6	10
2/6	14
2/6	16
2/6	18
2/6	20
2/6	24
2/6	26
2/6	30
2/6	34
2/6	40
2/6	50
2/6	60
2/6	64

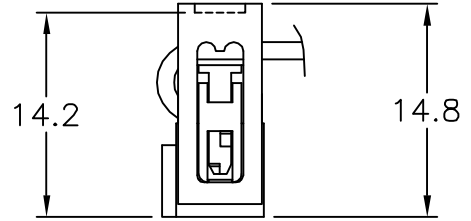
  

PLATING	
0.76µm GOLD ON CONTACT AREA	
1.27 µm Ni REMAINDER OF PRODUCT	

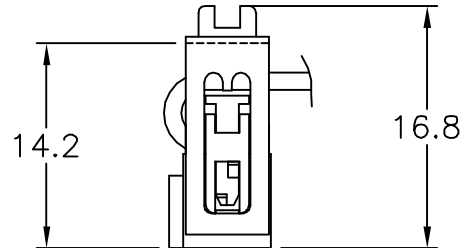
624
304
204 / 224
004
DASHES NOT AVAILABLE



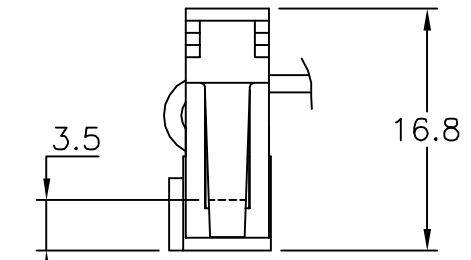
WITHOUT STRAIN RELIEF



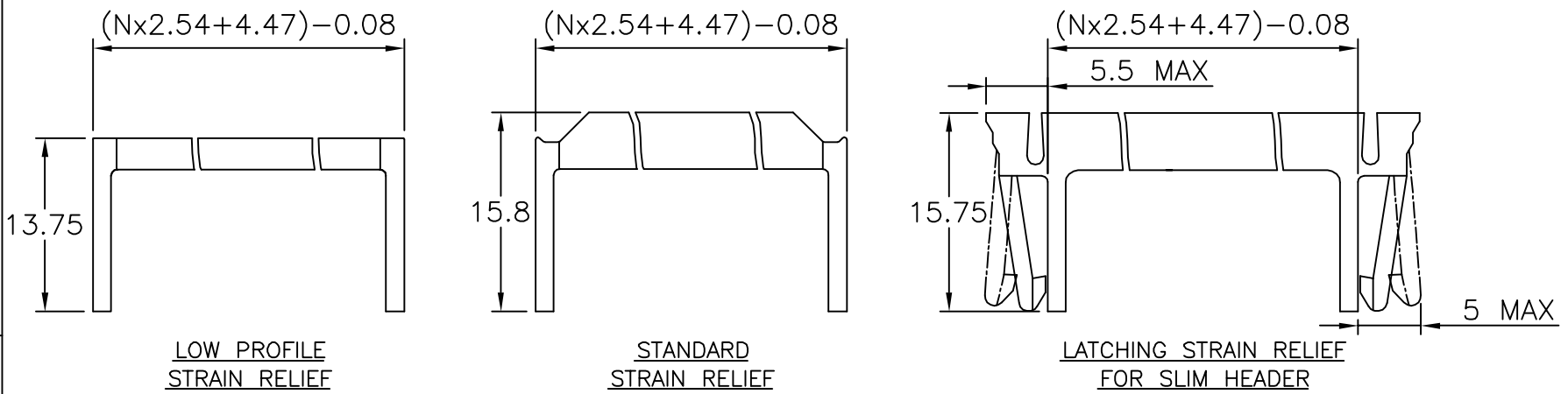
WITH LOW PROFILE STRAIN RELIEF



WITH STANDARD STRAIN RELIEF



WITH LATCHING STRAIN RELIEF



LOW PROFILE STRAIN RELIEF

STANDARD STRAIN RELIEF

LATCHING STRAIN RELIEF FOR SLIM HEADER

71600-6YY	●					●
71600-3YY		●	●			
71600-2YY	●			●		
71600-1YY	●				●	
71600-0YY	●		●			
PRODUCT NUMBER	WITH	WITHOUT	STANDARD	WITHOUT	LOW PROFILE	LATCHING
	CENTRAL KEY		STRAIN RELIEF			

mat'l. code				tolerances unless otherwise specified			CUSTOMER COPY		<b>ELECTRONICS</b> www.fciconnect.com	
ltr	ecn no	dr	date	linear	D.LE	01.01.24	projection		title	
X	F70666	AAN	97.11.05						IDC RECEPT DR	
Y	F10121	DLE	01.01.24	angles	P.NZ	01.01.24		mm	product family	
AA	F10199	GCO	01.04.26						QUICKIE	
AB	F03019	DLE	03.01.23	dr	P.NZ	01.01.24		scale	size	code
AC	F05-0180	LMU	05.04.22	enr	P.NZ	01.01.24			A3	213
				chr	JF.N	01.01.24	N/A	A3	dwg no	sheet
				appd	P.NZ	01.01.24			71600	2 of -
sheet index	revision sheet									